

# UDA

High Volume Vertical Discharge

UDA



# ROOF EXTRACT UNITS UDA

---

## SPECIFICATION

---

### The UDA Unit

Suitable for operation up to 400°C.

- Vertical discharge.
- 15 Unit sizes 315mm to 2000mm.
- Volume flow up to 60m<sup>3</sup>/s.
- Static pressures up to 900 Pa.
- Incorporating Fläktwoods H.T. Aerofoil Fans.

### Unit Construction

The base is constructed from sheet steel, hot dipped galvanised after manufacture. The windshield and air operated shutters, designed to prevent the ingress of rain or snow, are manufactured from aluminium or sheet steel.

### Fans

The UDA range is powered by the Fläktwoods Aerofoil fan. On an open inlet, a bellmouth is recommended to obtain the specified performance. Two speed motors are available - please enquire.

### Ancillaries

Fans and roof Extract units.  
All standard steel ancillaries e.g. Mounting Feet, Bellmouth Inlets, Matching Flanges, Wire Guards etc., are suitable for 600°C.

Flexible Connector - Silicon coated glass fibre fabric.

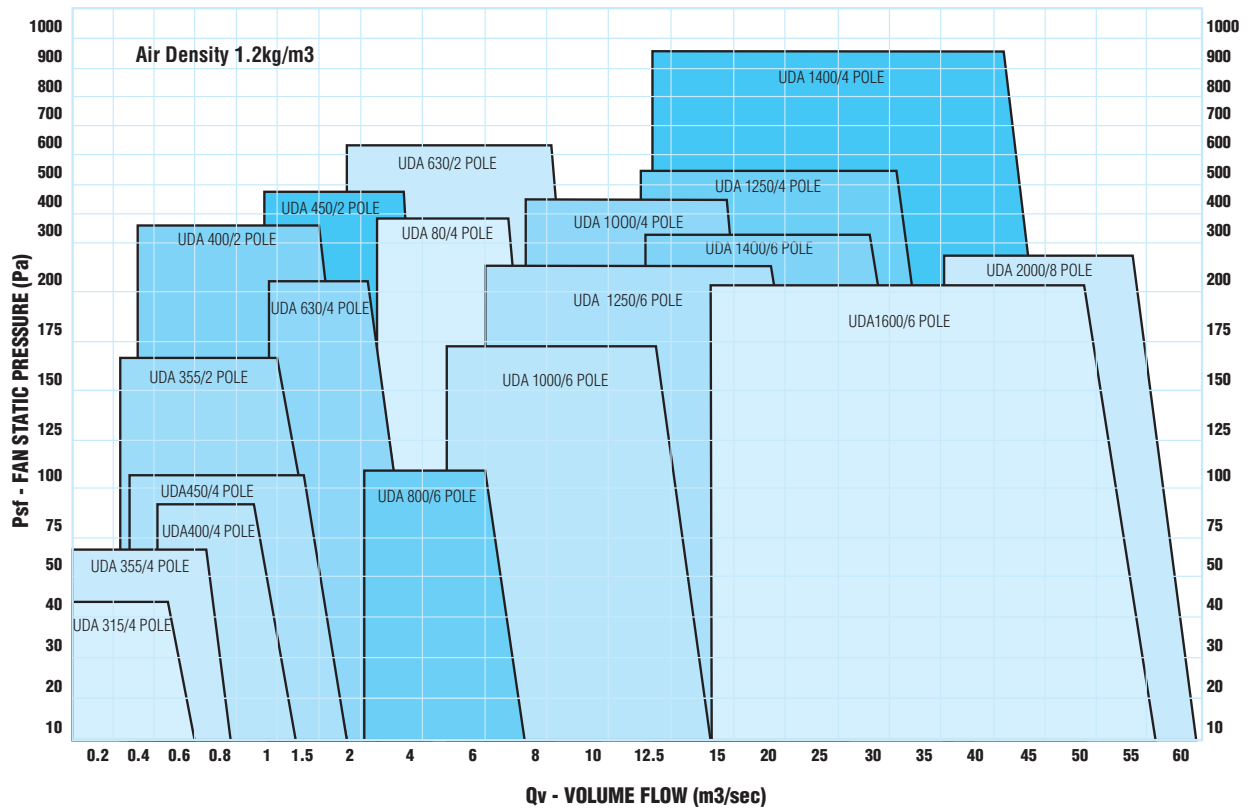
Vibration Isolators - Spring type are available for all fans.



# ROOF EXTRACT UNITS UDA

## Type UDA

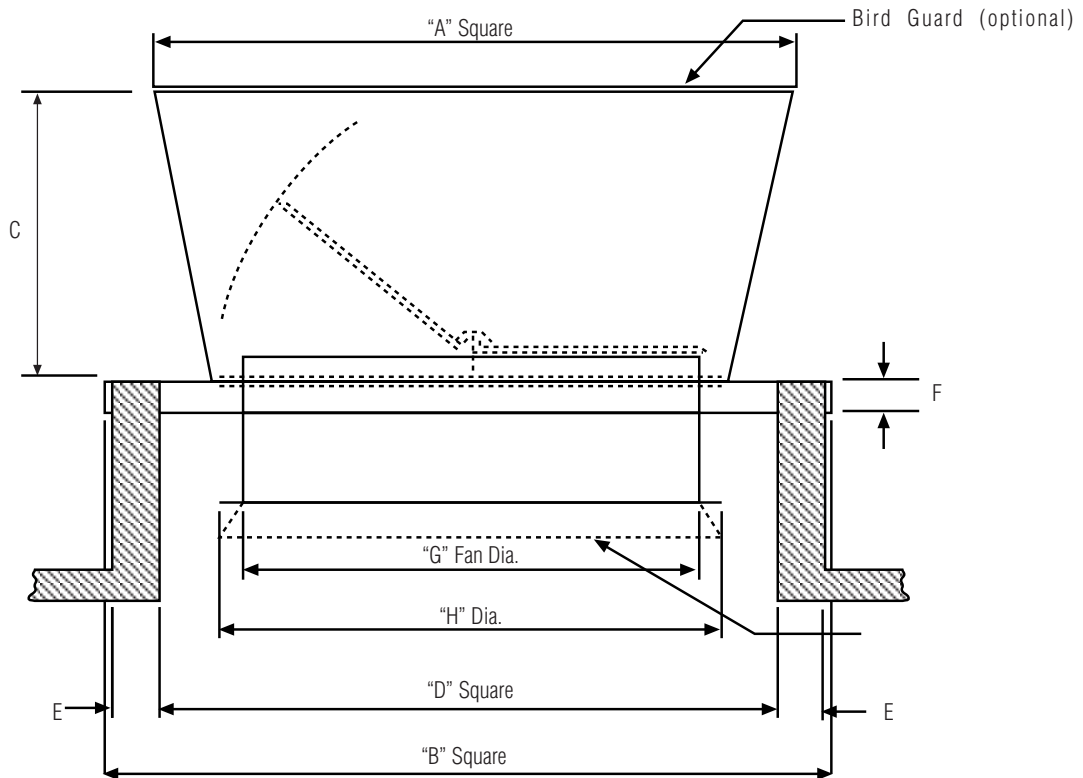
### UDA PERFORMANCE ENVELOPE CURVES



### Notes:-

1. Most Fläktwoods Aerofoil fans can be built to the H.T.Series specification. A selection of popular fans are detailed in this publication. Please enquire for alternative blade pitch angles and speeds.
2. The performance curves shown are examples of the range of fans available. Fully specified quotations for single and two speed fans will be supplied upon request.
3. When selecting an Axial fan for use in this Roof cowl, allow for the pressure losses through the unit.  
Type UDA: Add 1.0 x fan velocity pressure, plus inlet duct system resistance.

## DIMENSIONS AND WEIGHTS



Fan Size	"A" Square	"B" Square	C	"D" Square	E	F	"G" - Dia	"H" - Dia	Weights
UDA315	530	594	280	410	75	45	315	395	50
UDA355	530	594	280	410	75	45	355	445	50
UDA400	570	694	380	510	75	45	400	480	50
UDA450	570	694	380	560	50	45	450	530	50
UDA500	750	694	460	700	75	45	500	595	50
UDA560	750	894	460	700	75	45	560	645	69
UDA630	880	1050	350	800	100	45	630	750	83
UDA710	1050	1250	382	1000	100	45	710	805	144
UDA800	1050	1250	382	1000	100	45	800	895	144
UDA900	1275	1444	530	1190	100	45	900	995	216
UDA1000	1275	1444	530	1190	100	45	1000	1106	216
UDA1120	1585	1738	615	1490	100	45	1120	1226	369
UDA1250	1585	1738	615	1490	100	45	1250	1356	369
UDA1600	2050	2250	650	1950	150	75	1600	1738	967
UDA2000	2450	2675	700	2300	150	75	1905	2075	1218

All dimensions in millimetres

Due to a policy of continuous development and improvement the right is reserved to supply products which may differ from those illustrated and described in this publication. Certified dimensions will be supplied on request on receipt of order.