

JM Portable Cooler - Cased Axial Fans



Features

- 400 – 500mm diameter
- Air throw, up to 25 m @ 1.25 m/s velocity
- Purpose built cradle
- Adjustable discharge angle
- Aluminium JM aerofoil impeller
- 100% X-ray of impeller
- Heavy duty isolator
- Motor protection IP55
- Motor side and impeller side guards

Electrical Supply

- 220-240V/50Hz/1 ϕ
- 380-420V/50Hz/3 ϕ

Temperature Range

- -40°C to 50°C as standard
- 50°C to 70°C must be run at full speed only.

Sizes

40JM.PC – 400 mm, 50JM.PC – 500 mm

Product Code

40JM.PC

Casing

Casings are hot dip galvanised with built in conical inlet to ensure performance. The fan is mounted in a heavy duty purpose built tubular frame, a heavy duty isolator is also fitted. Fans are supplied complete with motor side and impeller side safety guards.

- 40JM - Denotes 40 mm JM Aerofoil
- PC - denotes portable cooler

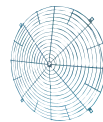
Motors

All motors are totally enclosed with class F insulation. Protection IP55. All motors are supplied with sealed for life bearings.

Impellers

A true aerofoil section high pressure die cast aluminium assembly. All cast aluminium components are X-ray inspected to ensure strength, reliability, performance and safety.

Accessories



Impeller side Guard



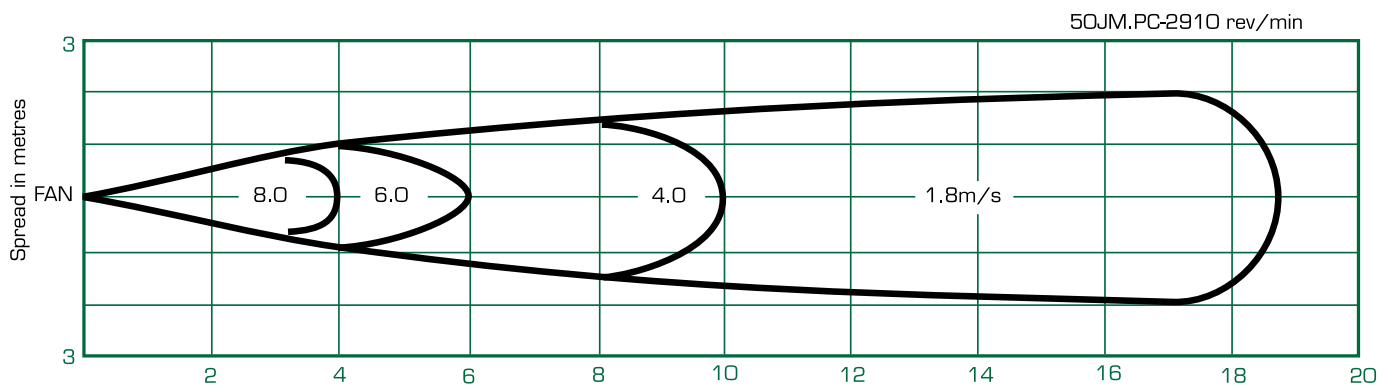
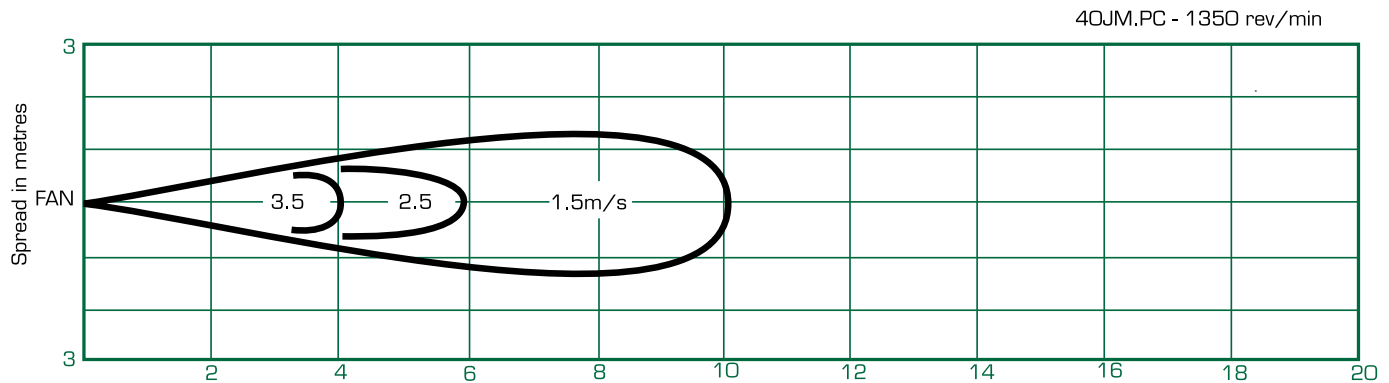
Controls Transformer



Controls Electronic



Performance Data - JM Portable Cooler



The performance shown describes the velocity of the air at the distance from the fan.

Product, Electrical and ErP Tables

220-240v/50Hz/1φ

Product Code	Product Number	Speed rev/min	Motor	Rating (kW)	Full Load Current (A)	Starting Current (A)	Wiring Diagram (CD)	Inlet Sound Levels
PC40JM	DPO40029	1420	BT9	0.25	1.56	3.45	CD1731	Enq

Product Code	Product Number	Inlet Sound Levels	Efficiency Rating	Target	Grade
PC40JM	DPO40029	Enq	-	-	-

380-420v/50Hz/3φ

Product Code	Product Number	Speed rev/min	Motor	Rating (kW)	Full Load Current (A)	Starting Current (A)	Wiring Diagram (CD)	Inlet Sound Levels
PC50JM	PC050001	2910	100L	4.6	8.88	61.27	CD1739	73

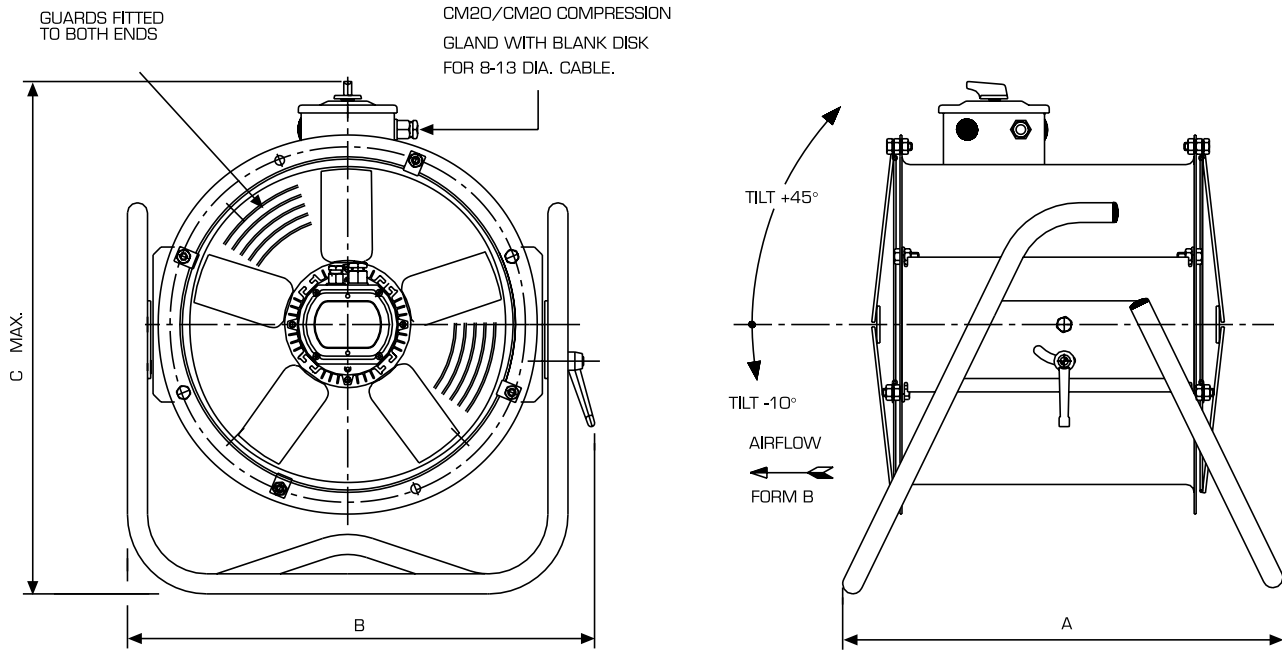
Product Code	Product Number	Inlet Sound Levels	Efficiency Rating	Target	Grade
PC50JM	PC050001	enq	-	-	-

Sound pressure levels quoted are at the inlet, and are average dBA at 3m distance over a sphere at the mid point at the highest angle given, under free field conditions. These are presented for comparative purposes only.

For details on speed control please enquire.



Drawings - JM Portable Cooler



Product Code	Motor Range	A	B	C	Weight (kg)
4QJM.PC	BT9	557	591	649	32
5QJM.PC	F2225	690	706	890	64

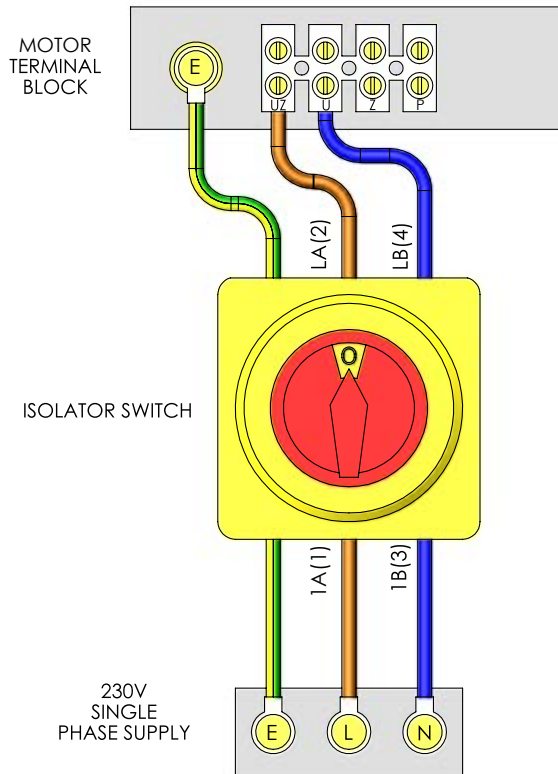


Wiring Diagrams - JM Portable Cooler

CD1731

CD1731
SINGLE PHASE JM PORTABLE COOLER

WARNING:
THIS FAN MUST
BE EARTHED



CD1739

CD1739
THREE PHASE JM PORTABLE COOLER

WARNING:
THIS FAN MUST
BE EARTHED

