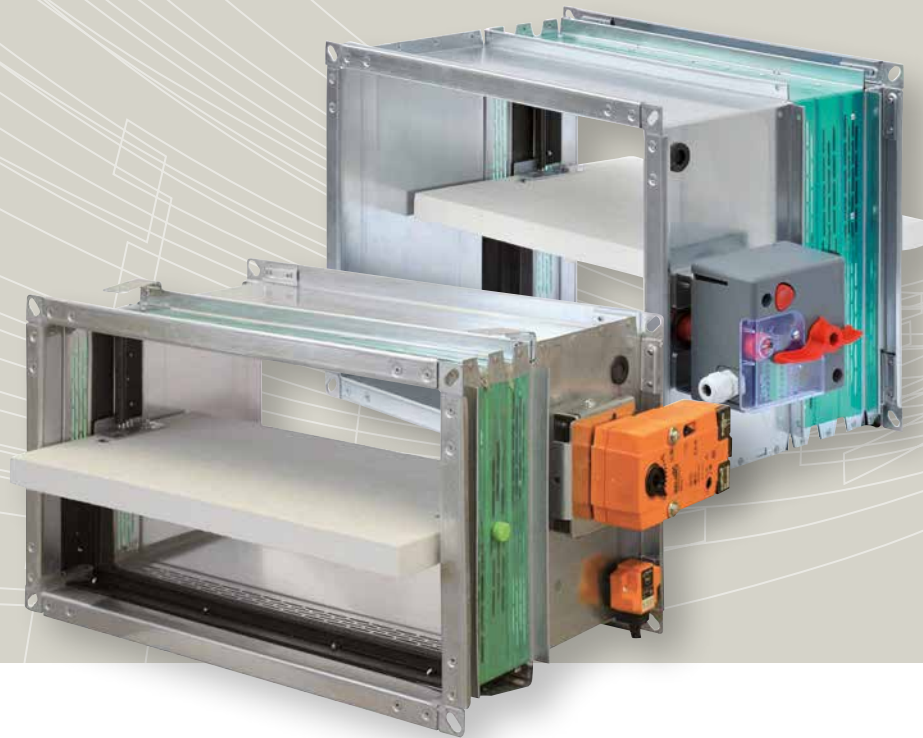


- FIRE SAFETY**
- AIR TREATMENT
- FIRE DAMPERS

ETPL-1 FIRE DAMPER

» TECHNICAL DATA





DESCRIPTION, PRODUCT CODE, DIMENSIONS

CHARACTERISTICS

Fire dampers marked CE certified EN 15650, EN 13501-3 classified and tested according to EN 1366-2. Installable on ventilation ducts ensure a rapid interruption of the air flow in case of fire. Two different versions; with mechanical control and predisposition for electromagnet or with predisposition for servo motor.

CONSTRUCTION

Casing in galvanized steel with intermediate thermal cut. Blade in calcium silicate moved on pivots steel rotation housed on brass bushings. Provided with outer flange for connection to ducts have thermal release device calibrated standard at 72° C.

FIRE CLASS

Fire class EI 90 S and EI 120 S.

OPERATING CONDITIONS

Clean air, maximum air speed 10 m/s.

PRODUCT CODE

Fire damper

ETPL-1-aaabbb-c

Size of damper (aaabbb) _____

Height (H), mm = 100 - 800 in steps of 50 mm

Width (L), mm = 200 - 600 in steps of 50 mm

Version (c) _____

1 = Mechanical thermofuse, 72°C

2 = Motorized 24 V with thermal sensor

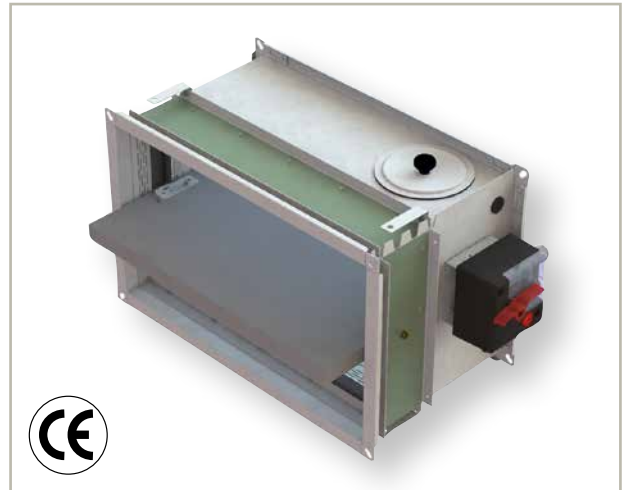
3 = Motorized 230 V with thermal sensor

4 = Mechanical thermofuse with electromagnetic release impulse 24 V

5 = Mechanical thermofuse with electromagnetic hold 24 V

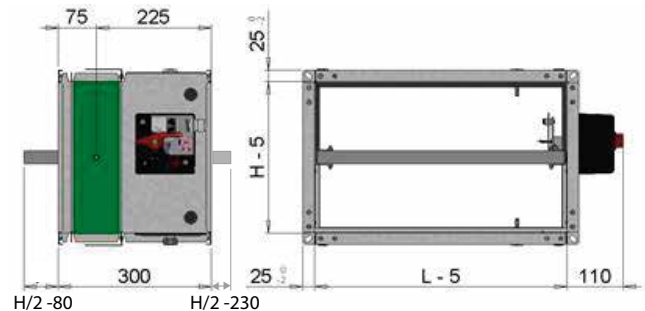
6 = Mechanical thermofuse with electromagnetic release impulse 230 V

7 = Mechanical thermofuse with electromagnetic hold 230 V

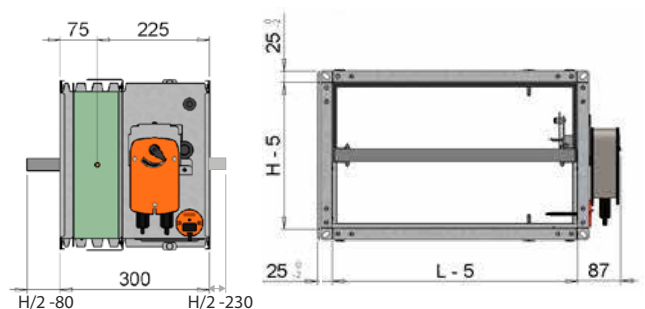


DIMENSIONS

ETPL-1 with mechanical thermofuse, c = 1 or 4 - 7



ETPL-1 with servo motor, c = 2 or 3



WEIGHTS, PERFORMANCE

WEIGHTS (KG)

Dimensions in mm. Weights with mechanical thermofuse. Motorized versions +0,5 kg.

Height Width	100	150	200	250	300	350	400	450	500	550	600	650	700	750	800
200	4,76	5,26	5,75	6,24	6,74	7,23	7,72	8,21	8,71	9,20	9,69	10,19	10,68	11,17	11,67
250	5,15	5,70	6,24	6,79	7,33	7,88	8,42	8,97	9,52	10,06	10,61	11,15	11,70	12,24	12,79
300	5,54	6,14	6,74	7,33	7,93	8,53	9,13	9,73	10,32	10,92	11,52	12,12	12,72	13,32	13,91
350	5,93	6,58	7,23	7,88	8,53	9,18	9,83	10,48	11,13	11,78	12,43	13,08	13,74	14,39	15,04
400	6,32	7,02	7,72	8,42	9,13	9,83	10,53	11,24	11,94	12,64	13,35	14,05	14,75	15,46	16,16
450	6,70	7,46	8,21	8,97	9,73	10,48	11,24	11,99	12,75	13,50	14,26	15,02	15,77	16,53	17,28
500	7,09	7,90	8,71	9,52	10,32	11,13	11,94	12,75	13,56	14,37	15,17	15,98	16,79	17,60	18,41
550	7,48	8,34	9,20	10,06	10,92	11,78	12,64	13,50	14,37	15,23	16,09	16,95	17,81	18,67	19,53
600	7,87	8,78	9,69	10,61	11,52	12,43	13,35	14,26	15,17	16,09	17,00	17,91	18,83	19,74	20,65

PERFORMANCE TABLE

Fire dampers tested according EN 1366-2 and classified according to EN 13501-3

Type of installation	Classification of resistance	
	EI 120 S - 500 Pa	EI 90 S - 500 Pa
Aerated concrete wall thickness 100 mm (ve i ↔ o)	from 100x200 to 800x600 SR/M	from 100x200 to 800x600 SR/M
Aerated concrete slab thickness 150 mm ¹⁾ (ho i ↔ o)	from 100x200 to 800x600 SR/M	from 100x200 to 800x600 SR/M
Gypsum plasterboards type F wall thickness 100 mm ¹⁾ (ve i ↔ o)	from 100x200 to 800x600 SR/M	from 100x200 to 800x600 SR/M
Gypsum plasterboards type F wall thickness 100 mm (ve i ↔ o)	-	from 100x200 to 800x600 SR/M








¹⁾ Need to use thermo expanding gasket model ETPL-99-03.

DESIGNATIONS

- ve = vertical installation
- ho = horizontal installation
- i ↔ o = side exposed to fire indifferent
- Pa = testing pressure drop in Pascal
- E = integrity
- I = insulation
- S = smoke leakage
- M = manual reset device
- SR = device with servomotor

ACCESSORIES, MOTORS

Accessories for ETPL-1 with mechanical thermofuse, c = 1 or 4 - 7

Model	Code	Description
	ETPL-99-01	Mechanical thermofuse in copper 72°C. Spare parts fuse.
	ETPL-99-02	Mechanical thermofuse in copper 95°C. Spare parts fuse.
	ETPL-1-aaaabbb-4	Electromagnet, main voltage 24V DC normally not excited. Factory fitted accessory.
	ETPL-1-aaaabbb-5	Electromagnet, main voltage 24V DC normally excited. Factory fitted accessory.
	ETPL-1-aaaabbb-6	Electromagnet, main voltage 220V AC normally not excited. Factory fitted accessory.
	ETPL-1-aaaabbb-7	Electromagnet, main voltage 220V AC normally excited. Factory fitted accessory.
	ETPL-99-03	Thermo expanding gasket (10m roll price per m)

Motors for ETPL-1 with servo motor, c = 2 or 3

BFL...-T/ST with thermofuse BAT



Code	Voltage	Command
BFL24-T	24V	On-Off
BFL24-T-ST	24V	On-Off
BFL230-T	230V	On-Off

Note:

- all the BFL have two limit switch signal contacts
- the BFL...ST version have a prewired plug for SBS control systems

BFN...-T/ST with thermofuse BAT






Codice / Code	Voltage	Command
BFN24-T	24V	On-Off
BFN24-T-ST	24V	On-Off
BFN230-T	230V	On-Off

Note:

- all the BFN have two limit switch signal contacts
- the BFN...ST version have a prewired plug for SBS control systems

Accessories for ETPL-1 with servo motor, c = 2 or 3

Model	Code	Description
	BKN230-24	Supply and communications unit to be installed on the fire damper. Joined to the electric board by a 2-pole line.
	BKS24-1B	Control and communications unit for 1 damper to be installed on panel. Joined to the BKNM by a 2 pole line.
	BKS24-9A	Control and communications unit for groups of up to nine dampers, to be installed on Panel. Connected to each BKN by a 2-pole line.

WE BRING BETTER AIR™ TO LIFE

With over a century of innovation and expertise to share with our customers, Flakt Woods is a global leader in Air Technology products and solutions. We specialize in the design and manufacturing of a wide range of products and solutions for Air Movement, Air Treatment, Air Distribution, Air Management and Air Diffusion with focus on two major benefits – **Air Comfort** and **Fire Safety**. With market presence in 65 countries we are in a unique position to be a local supplier and an international partner in our customer's projects.

Our product brands such as SEMCO®, eQ®, eQ Prime®, JM Aerofoil®, Econet®, Veloduct®, Optivent®, Optimix®, Econovent® and Clean-vent® are well-known and trusted by customers all over the world to deliver high quality and energy efficient solutions.

Flakt Woods Spa

Viale della Repubblica, 81/A - 20835 Muggiò MB, ITALY
+39 039 9360270
www.flaktwoods.it

» To learn more about our offering and get in contact with your nearest sales representative please visit www.flaktwoods.com

WWW.FLAKTWOODS.COM

ETPL-1 | 9881GB | 20160301